



SOUNDWELL®

http://soundwell-cn.com

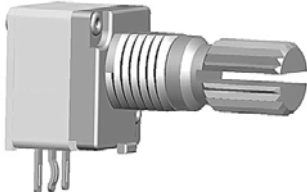
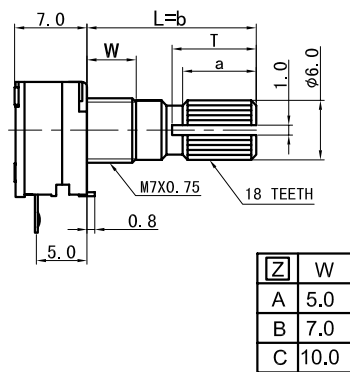
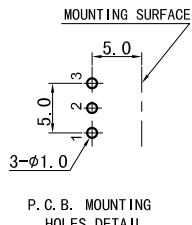
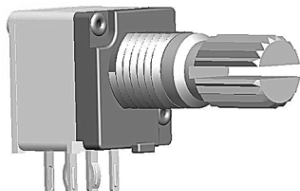
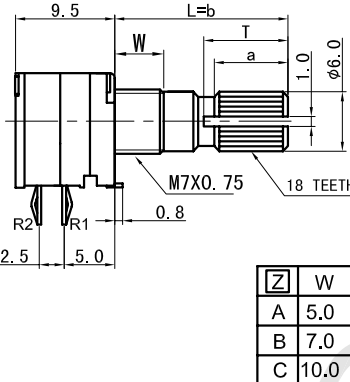
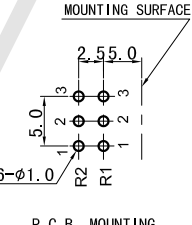
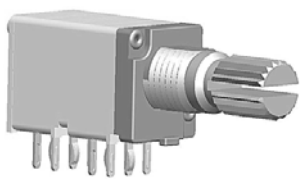
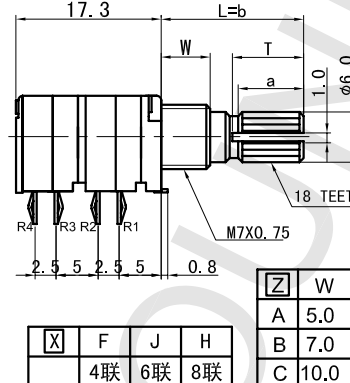
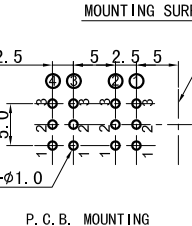
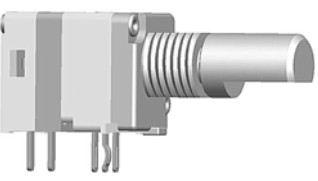
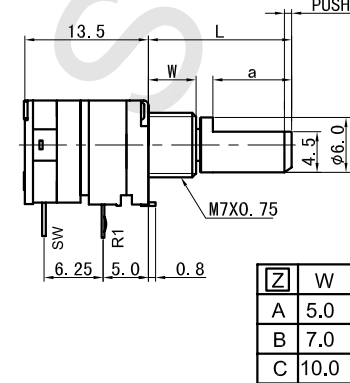
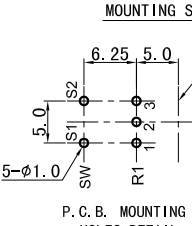
# RA09 Series POTENTIOMETER



企业微信，扫码有惊喜



升威官网，发现更多产品

MODEL 品名	DIMENSIONS 尺寸	UNIT:mm																
<p>RA0902NO <math>\square</math> <math>\square</math> 0X-VA1</p> 	 <table border="1" data-bbox="837 660 933 784"> <thead> <tr><th><math>\square</math></th><th>W</th></tr> </thead> <tbody> <tr><td>A</td><td>5.0</td></tr> <tr><td>B</td><td>7.0</td></tr> <tr><td>C</td><td>10.0</td></tr> </tbody> </table> <p>SHAFT SHOWN IN FULL C. C. W. POSITION</p>	$\square$	W	A	5.0	B	7.0	C	10.0	 <p>P. C. B. MOUNTING HOLES DETAIL</p>								
$\square$	W																	
A	5.0																	
B	7.0																	
C	10.0																	
<p>RA0902GO <math>\square</math> <math>\square</math> 0X-VA1</p> 	 <table border="1" data-bbox="837 1097 933 1220"> <thead> <tr><th><math>\square</math></th><th>W</th></tr> </thead> <tbody> <tr><td>A</td><td>5.0</td></tr> <tr><td>B</td><td>7.0</td></tr> <tr><td>C</td><td>10.0</td></tr> </tbody> </table> <p>SHAFT SHOWN IN FULL C. C. W. POSITION</p>	$\square$	W	A	5.0	B	7.0	C	10.0	 <p>P. C. B. MOUNTING HOLES DETAIL</p>								
$\square$	W																	
A	5.0																	
B	7.0																	
C	10.0																	
<p>RA0902 <math>\square</math> O <math>\square</math> 0X-VA1</p> 	 <table border="1" data-bbox="606 1590 813 1657"> <thead> <tr><th><math>\square</math></th><th>F</th><th>J</th><th>H</th></tr> </thead> <tbody> <tr><td></td><td>4联</td><td>6联</td><td>8联</td></tr> </tbody> </table> <table border="1" data-bbox="837 1534 933 1657"> <thead> <tr><th><math>\square</math></th><th>W</th></tr> </thead> <tbody> <tr><td>A</td><td>5.0</td></tr> <tr><td>B</td><td>7.0</td></tr> <tr><td>C</td><td>10.0</td></tr> </tbody> </table> <p>SHAFT SHOWN IN FULL C. C. W. POSITION</p>	$\square$	F	J	H		4联	6联	8联	$\square$	W	A	5.0	B	7.0	C	10.0	 <p>P. C. B. MOUNTING HOLES DETAIL</p>
$\square$	F	J	H															
	4联	6联	8联															
$\square$	W																	
A	5.0																	
B	7.0																	
C	10.0																	
<p>RA0902PN <math>\square</math> <math>\square</math> 0X-VA1</p> 	 <table border="1" data-bbox="837 1971 933 2094"> <thead> <tr><th><math>\square</math></th><th>W</th></tr> </thead> <tbody> <tr><td>A</td><td>5.0</td></tr> <tr><td>B</td><td>7.0</td></tr> <tr><td>C</td><td>10.0</td></tr> </tbody> </table> <p>SHAFT SHOWN IN FULL C. C. W. POSITION</p>	$\square$	W	A	5.0	B	7.0	C	10.0	 <p>P. C. B. MOUNTING HOLES DETAIL</p>								
$\square$	W																	
A	5.0																	
B	7.0																	
C	10.0																	